

TyrePal TeleTPMS module TMM-3 and TMSM-3

Inserting the SIM

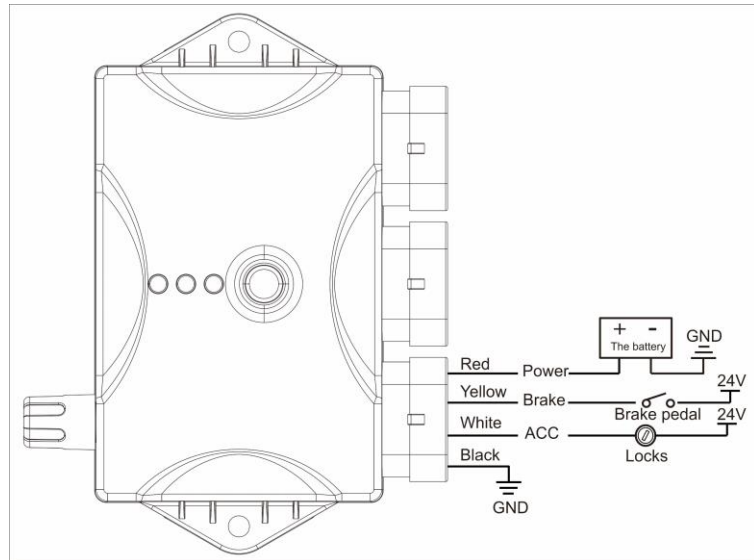
TeleTPMS modules are normally supplied with SIM inserted. If the SIM card is not pre-installed, see separate instructions on how to install and activate the SIM prior to installation on the vehicle.

Installation

Install the TeleTPMS module inside the vehicle cab and away from electrical equipment that may cause interference. For trailer-only fleets, install it directly on the trailer.

The module requires a supply of 12 to 24V to operate correctly and recharge the internal battery.

Connect the wires as shown and plug the connector into the left-hand socket of the module.



Installation on a trailer

If there is a continuous supply but no separate switched power (ACC), connect both white and red to the supply.

Operation

When connected as shown, the module turns on and off automatically. The vehicle's supply maintains the battery charge and the module continues to operate in a power-saving state when there is no external power.

To turn on if the external supply is not connected: Long press the power button for 3 seconds, the red LED flashes once within 3 seconds and the module turns on.

To turn off, long press the power button for 3 seconds; the red LED flashes twice to indicate that the module is turning off.

Specification Summary

Dimensions	140 x 110 x 29mm
Weight	220g
Working voltage	12 to 24V
Working current	55 to 65mA
Working temperature	-30°C to 80°C
Storage temperature	-40°C to 85°C

Additional Information

Please refer to the full user manual which can be downloaded at <http://www.tyrepal.co.uk/teletpms-support>